

# TMK 397 • MATRA FORD MS80

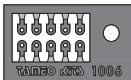
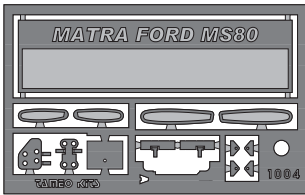
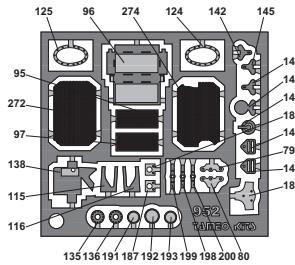
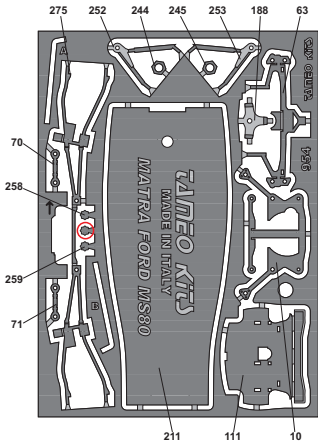


**G.P. SPAGNA 1969**  
**WINNER JACKIE STEWART**

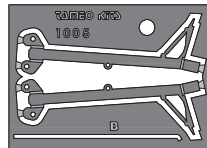
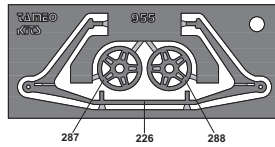
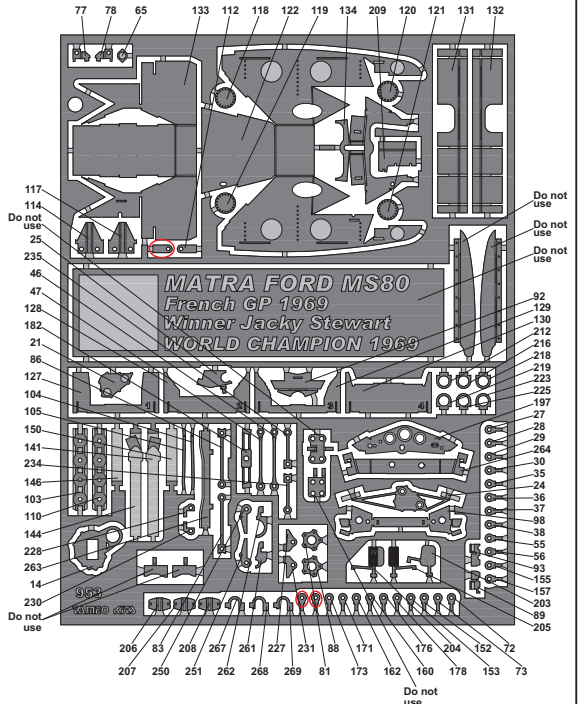
**TAMEO KITS**

1:43 Formula 1 Scale Model

**PHOTOETCHED - FOTOINCISIONI - FOTOGAEZTZ  
PHOTOGRAVURES - FOTOGABADO**

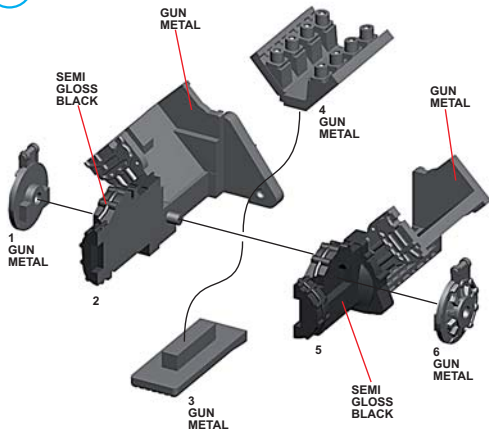
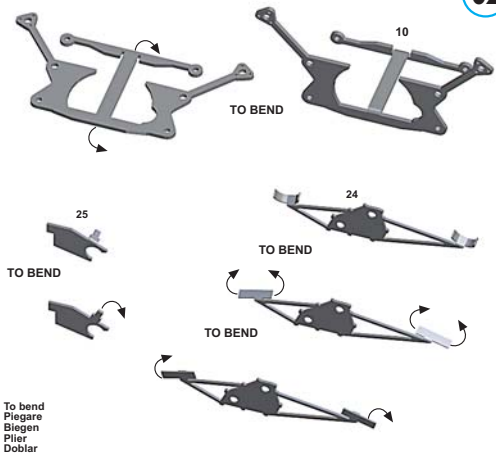
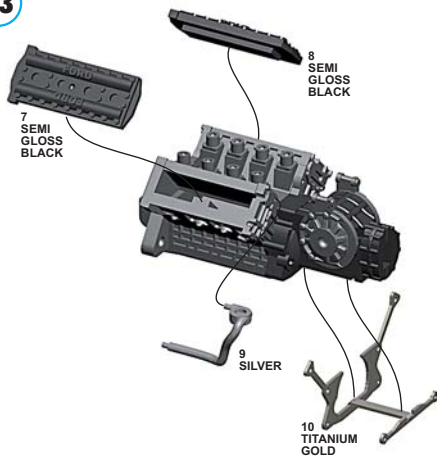
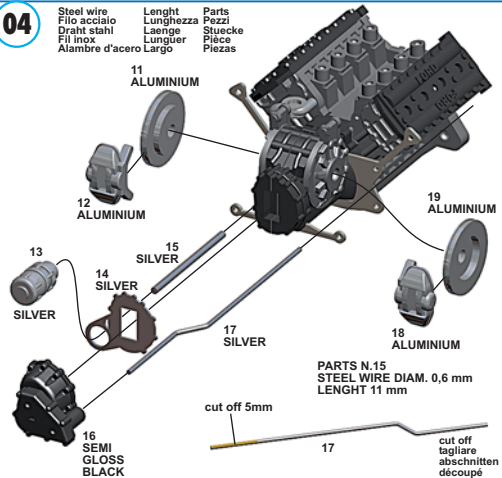
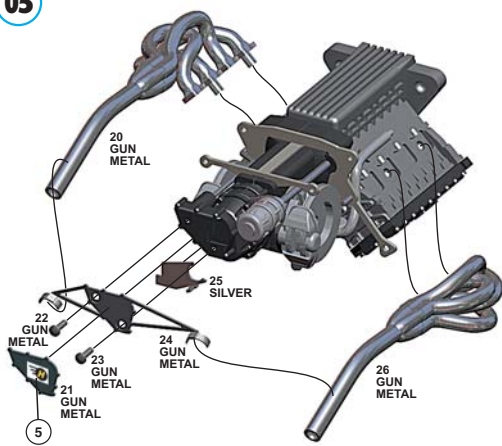
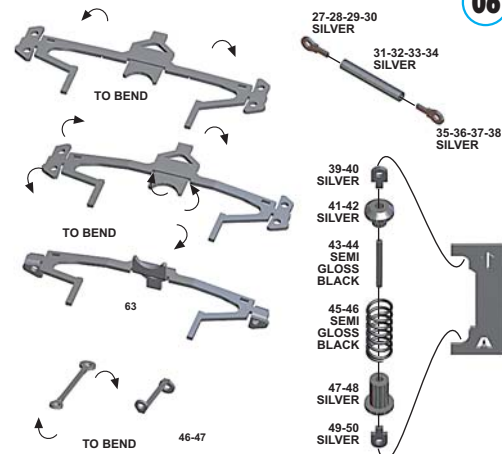


 Spare parts  
Pezzi di ricambio  
Pièces de rechange  
Ersatzteile  
Piezas de repuesto

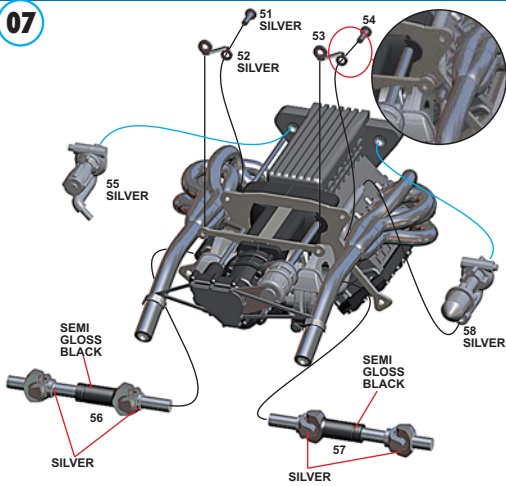
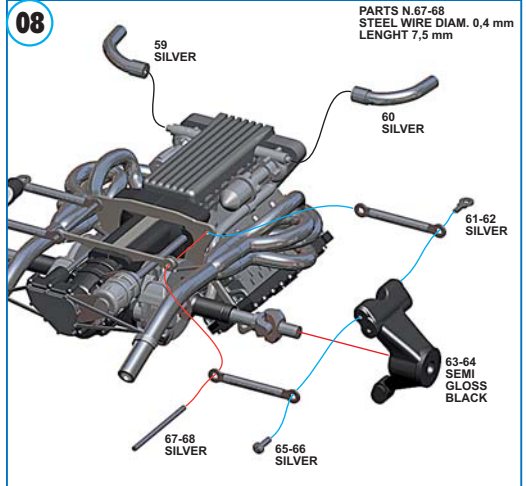
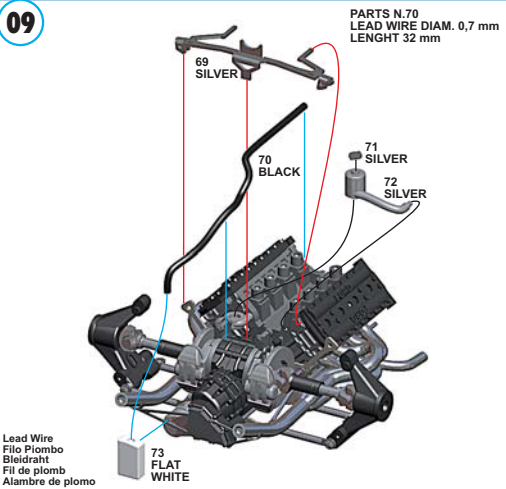
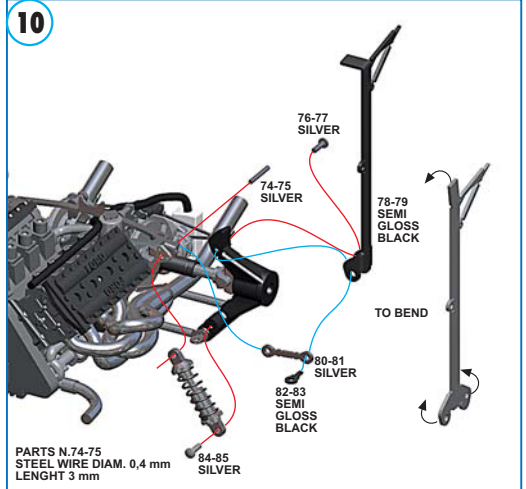
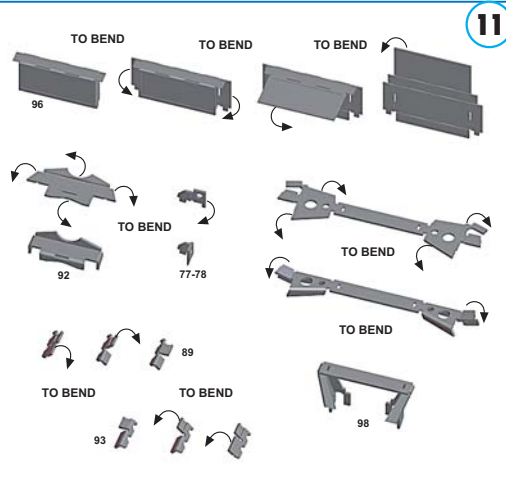
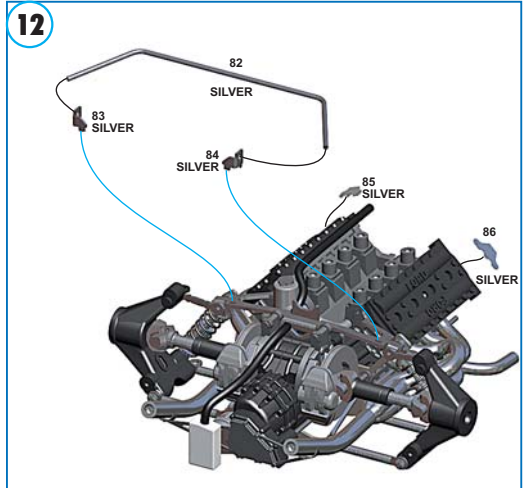


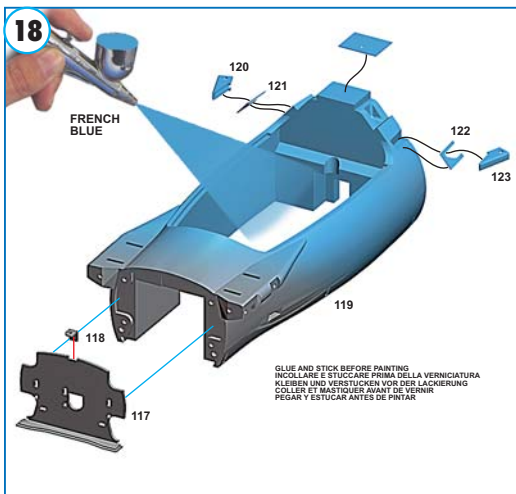
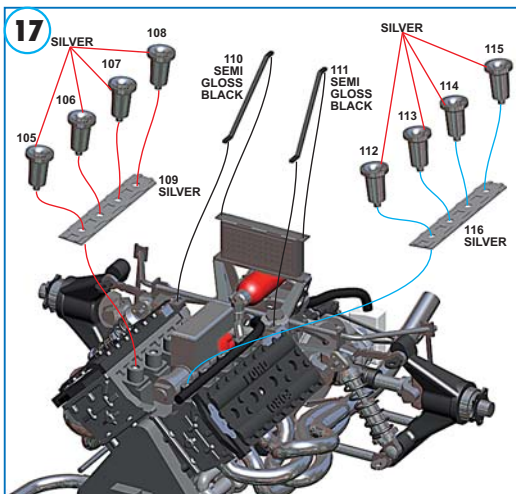
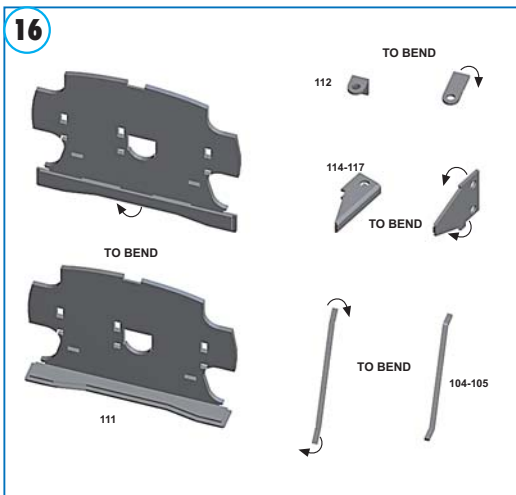
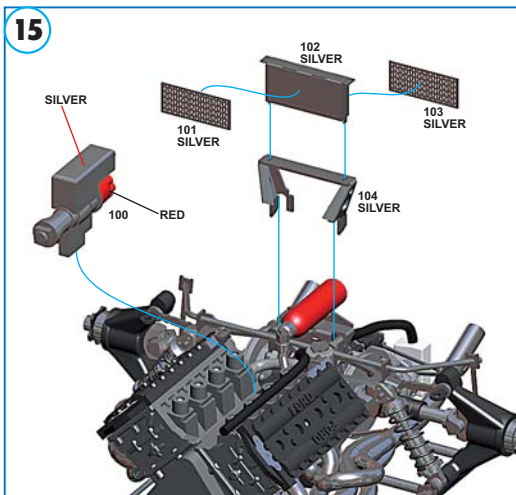
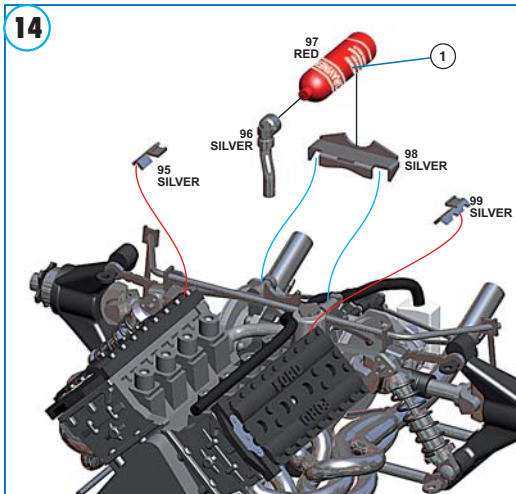
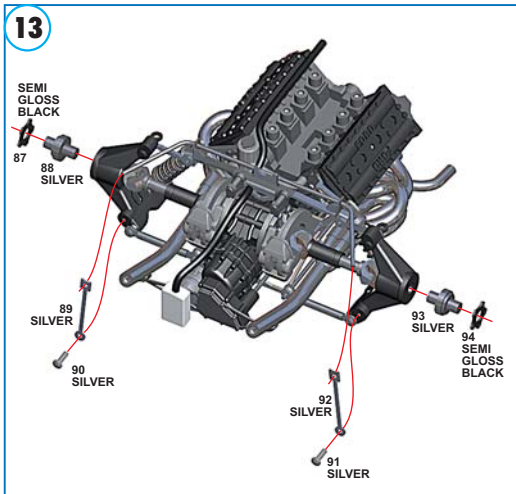
**COLOUR CONVERSION - CONVERSIONE COLORI - FARBENUMWANDLUNG  
CONVERSION DE COULEUR - COLORES CONVENSIONADOS**



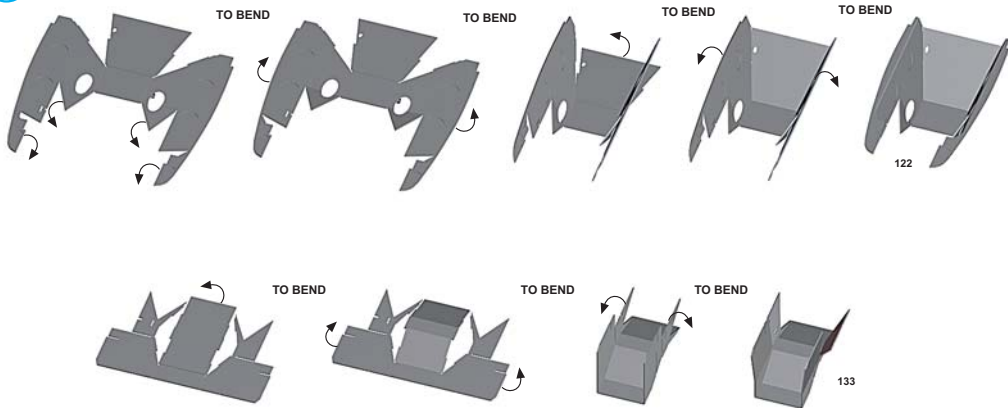
**01****02****03****04****05****06**



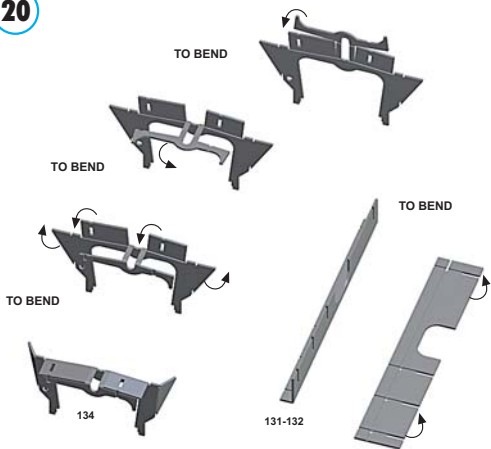
**07****08****09****10****11****12**



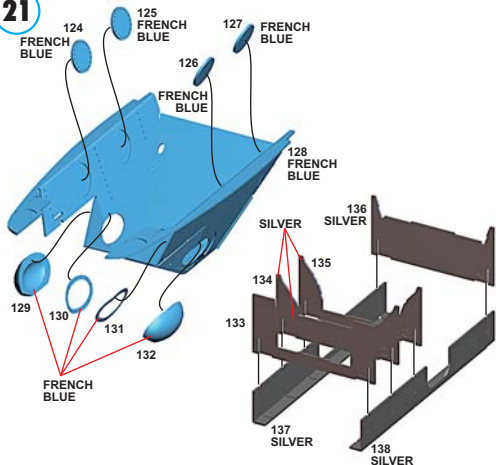
19



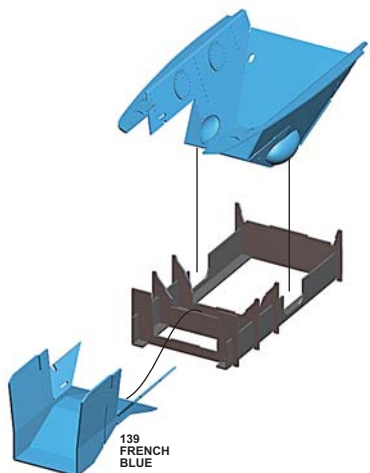
20



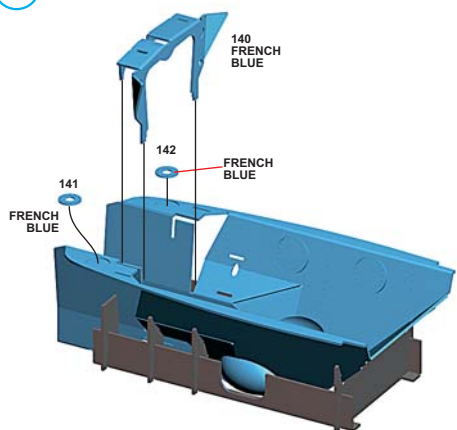
21

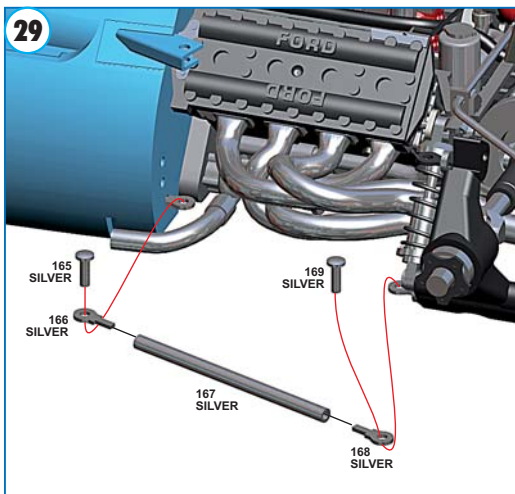
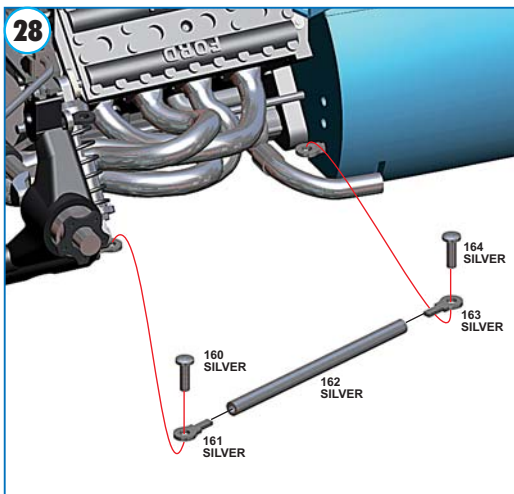
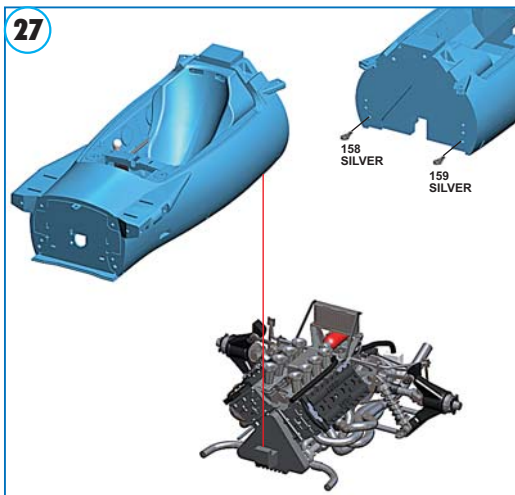
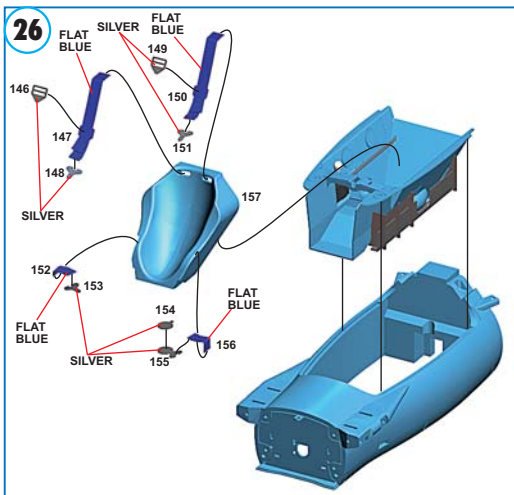
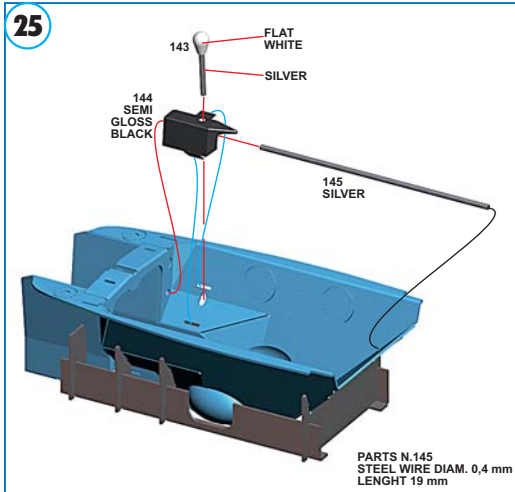
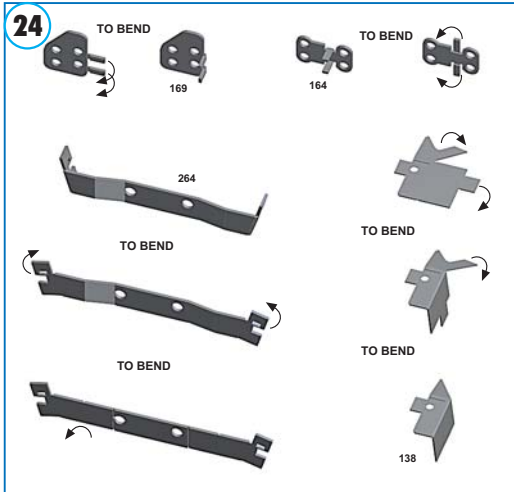


22

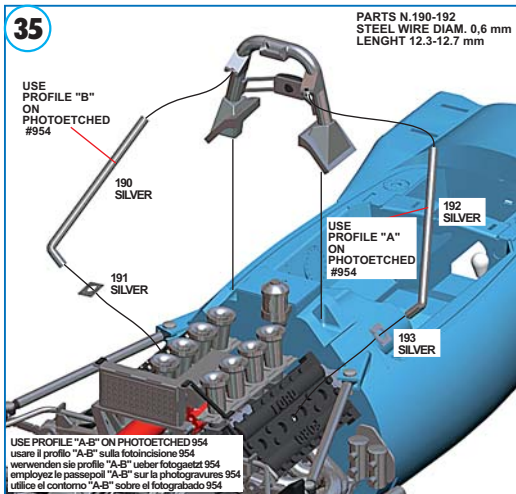
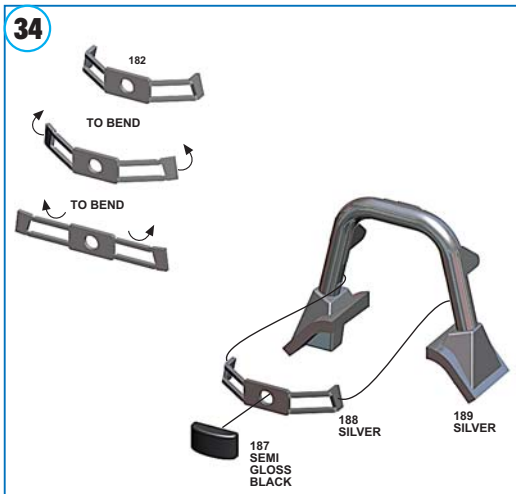
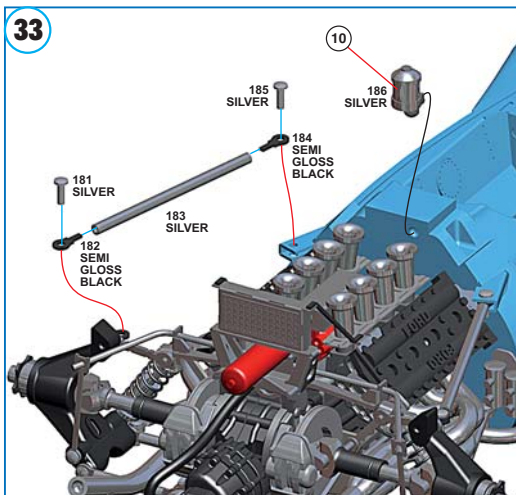
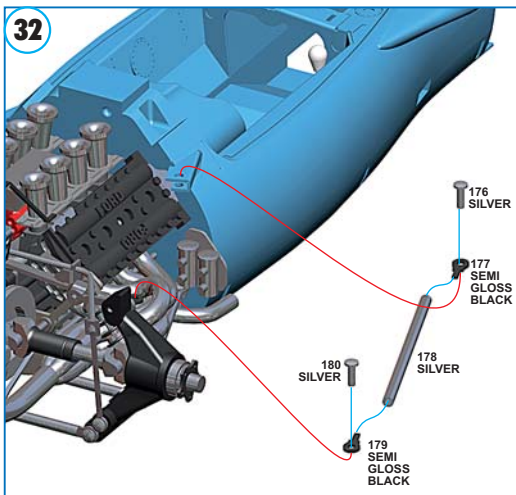
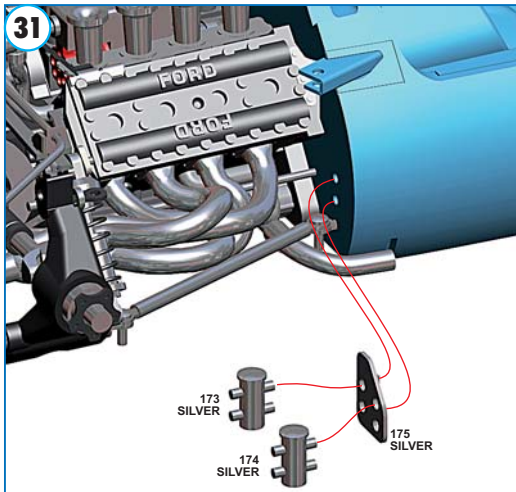
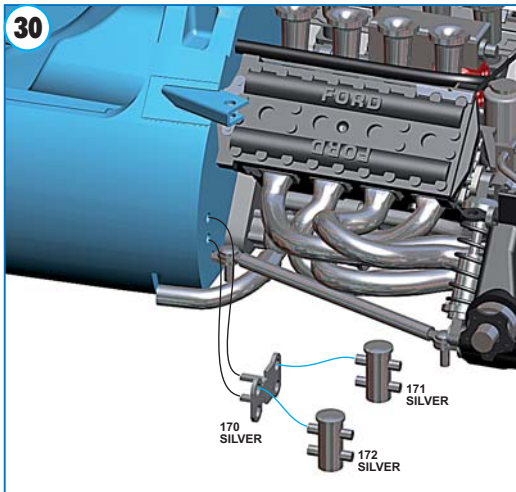


23

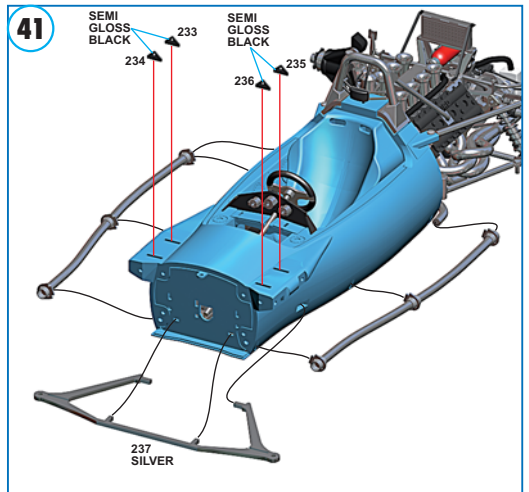
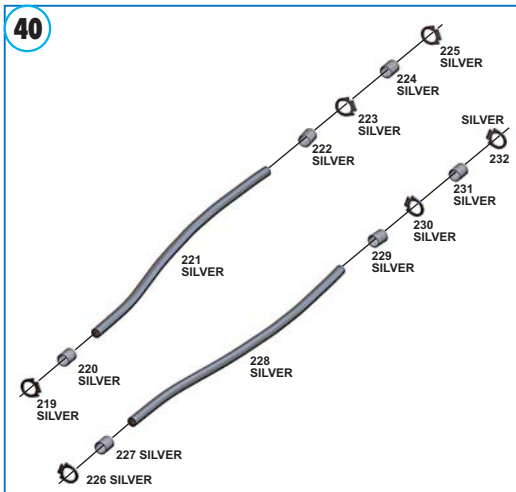
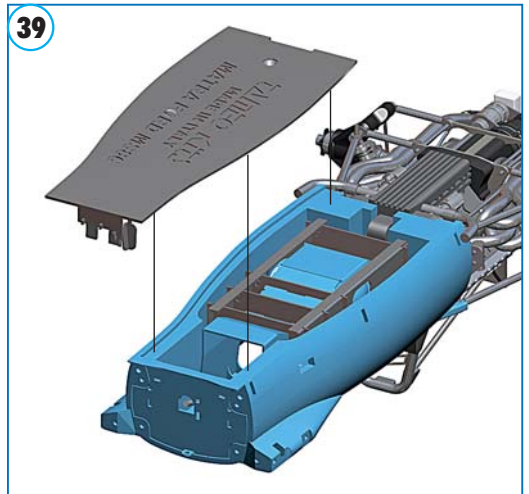
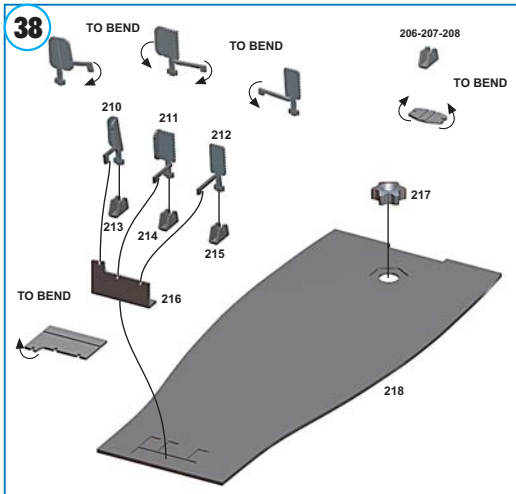
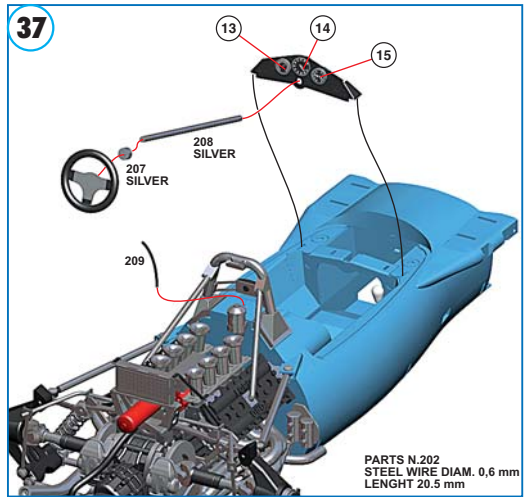
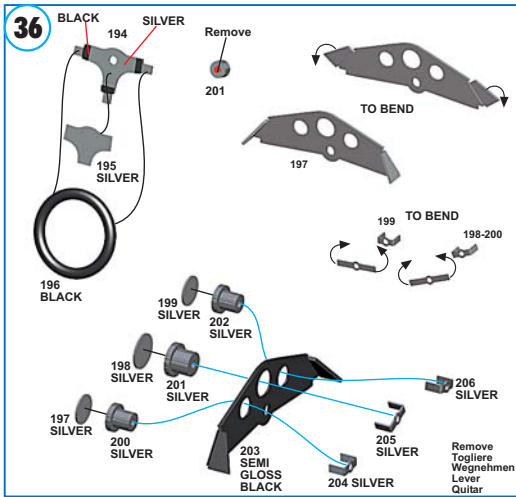


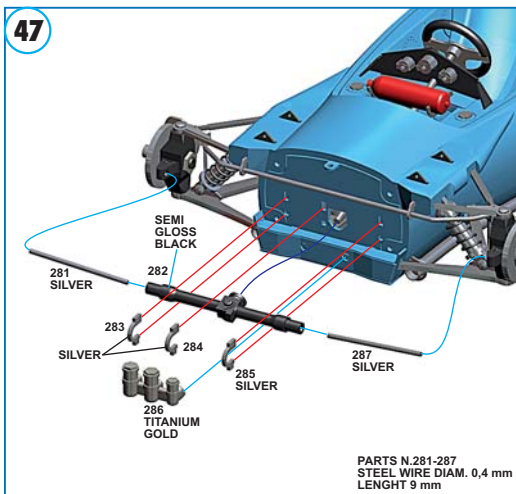
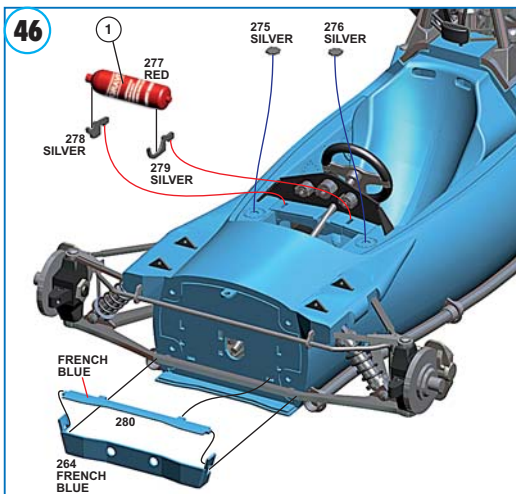
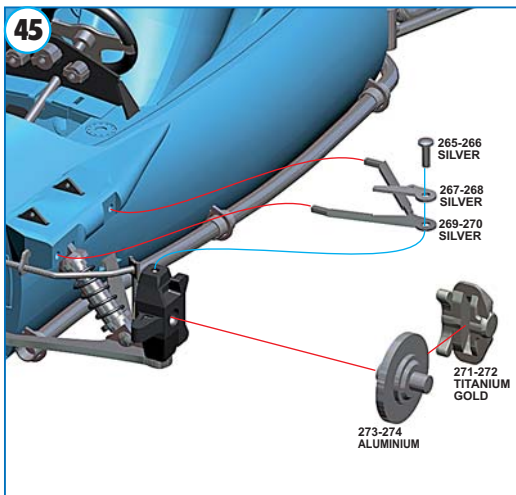
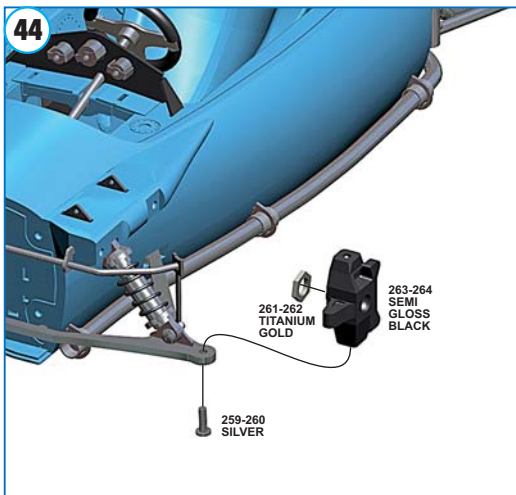
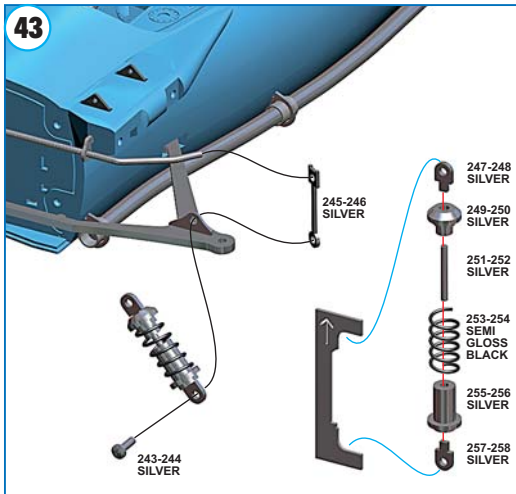
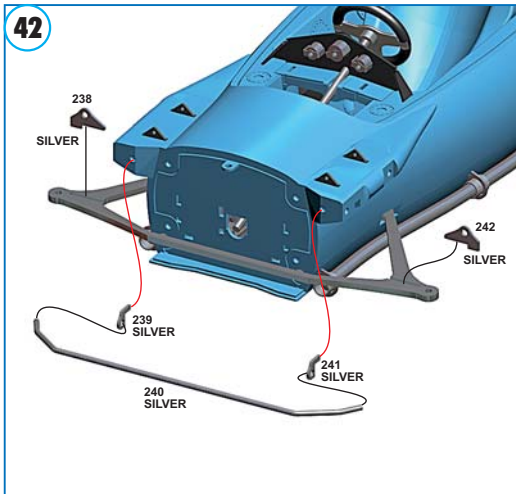


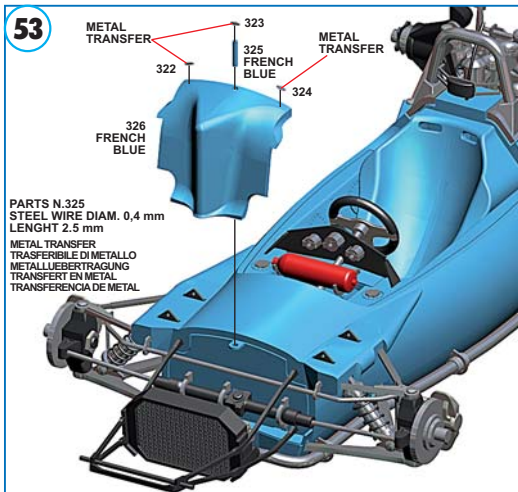
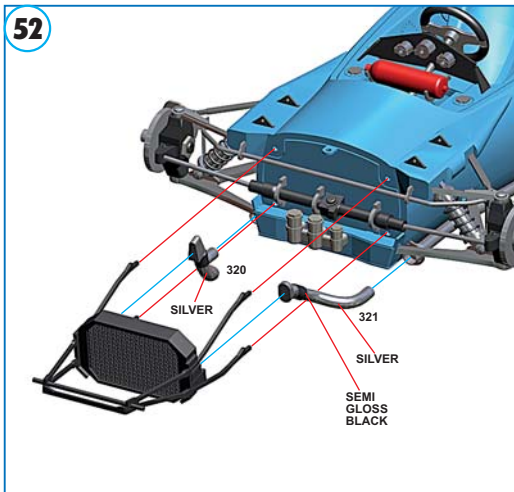
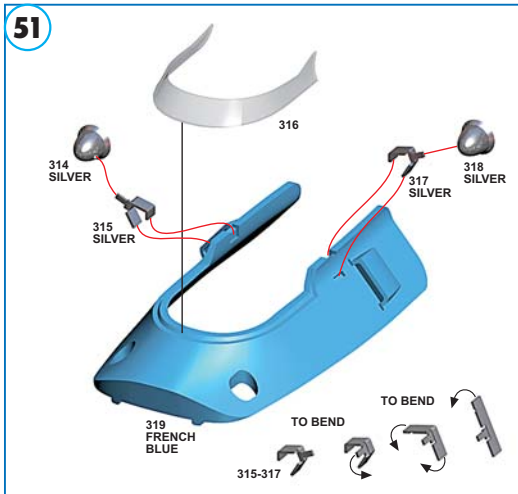
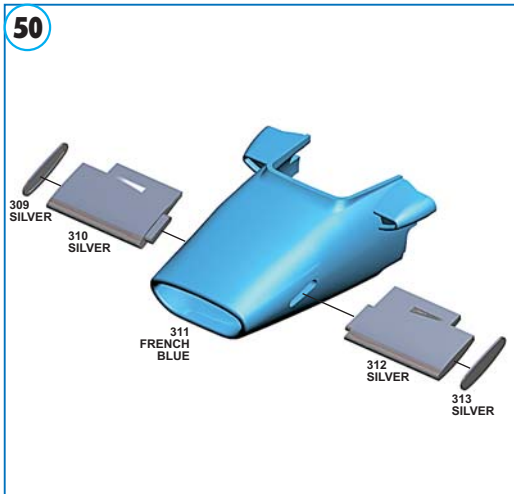
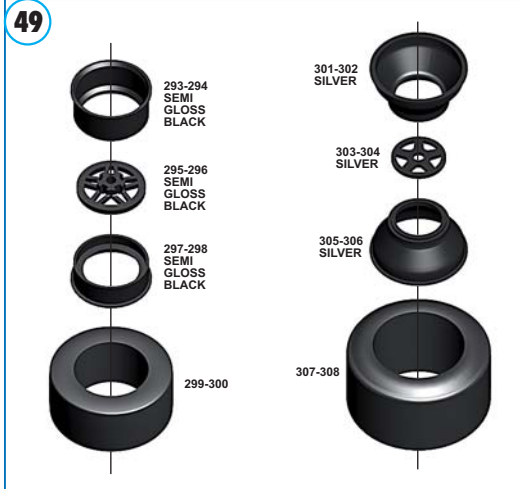
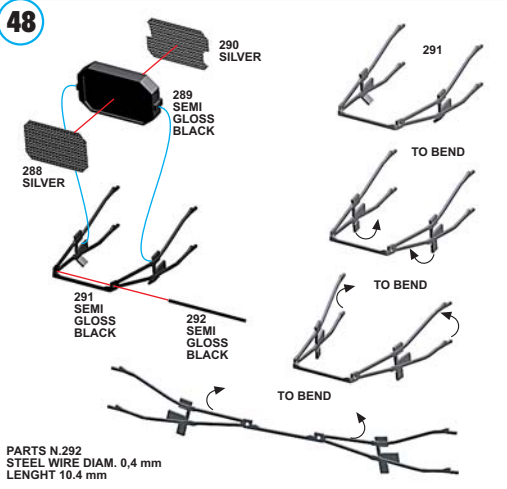






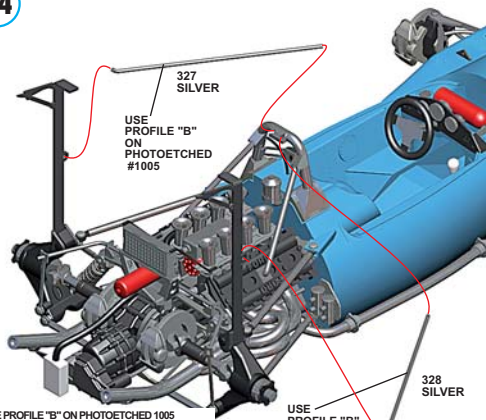








54

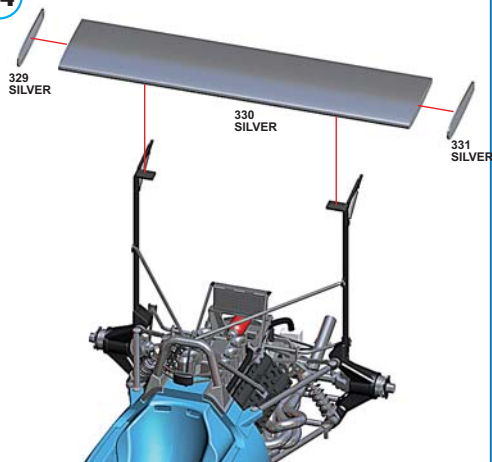


USE PROFILE "B"  
ON PHOTOETCHED  
#1005

USE PROFILE "B"  
ON PHOTOETCHED  
#105

USE PROFILE "B" ON PHOTOETCHED 1005  
usare il profilo "A-B" sulla fotoincisione 1005  
wenden sie profile "A-B" auf der fotoätzung 1005  
employez le passaport "A-B" sur la photogravure 1005  
utilice el contorno "A-B" sobre el fotografado 1005

54

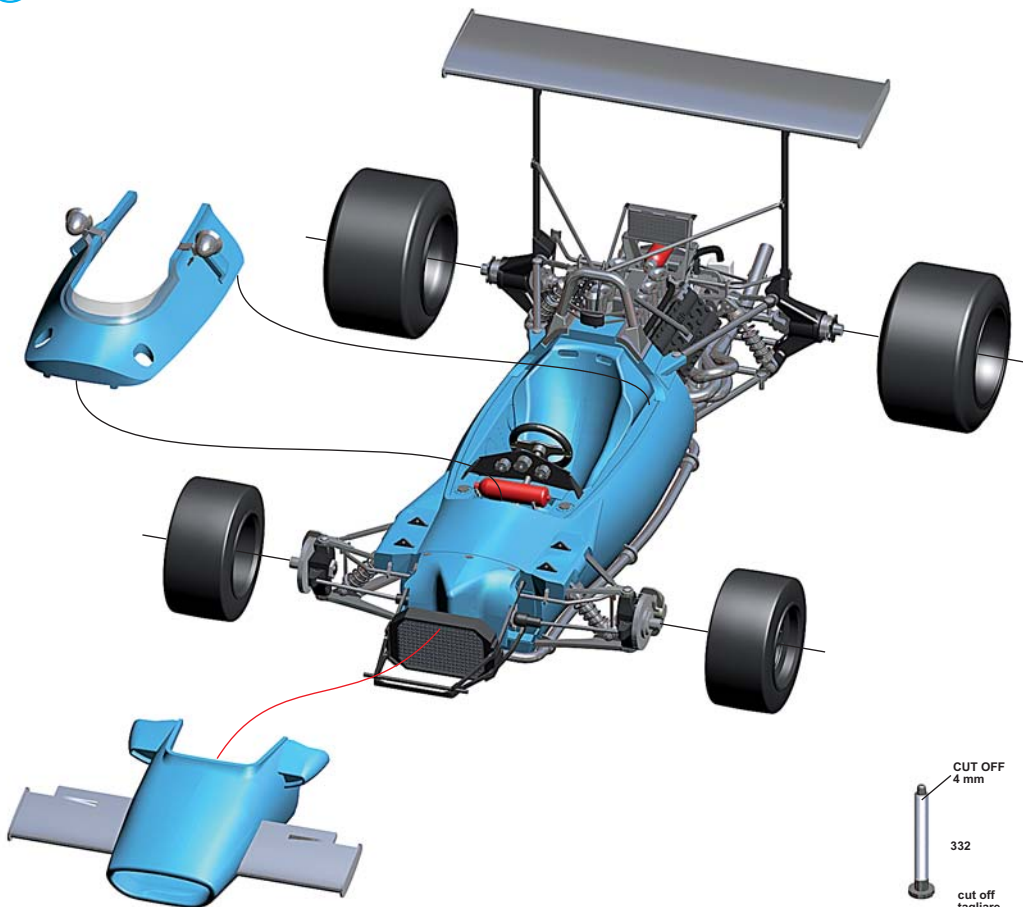


329 SILVER

330 SILVER

331 SILVER

55

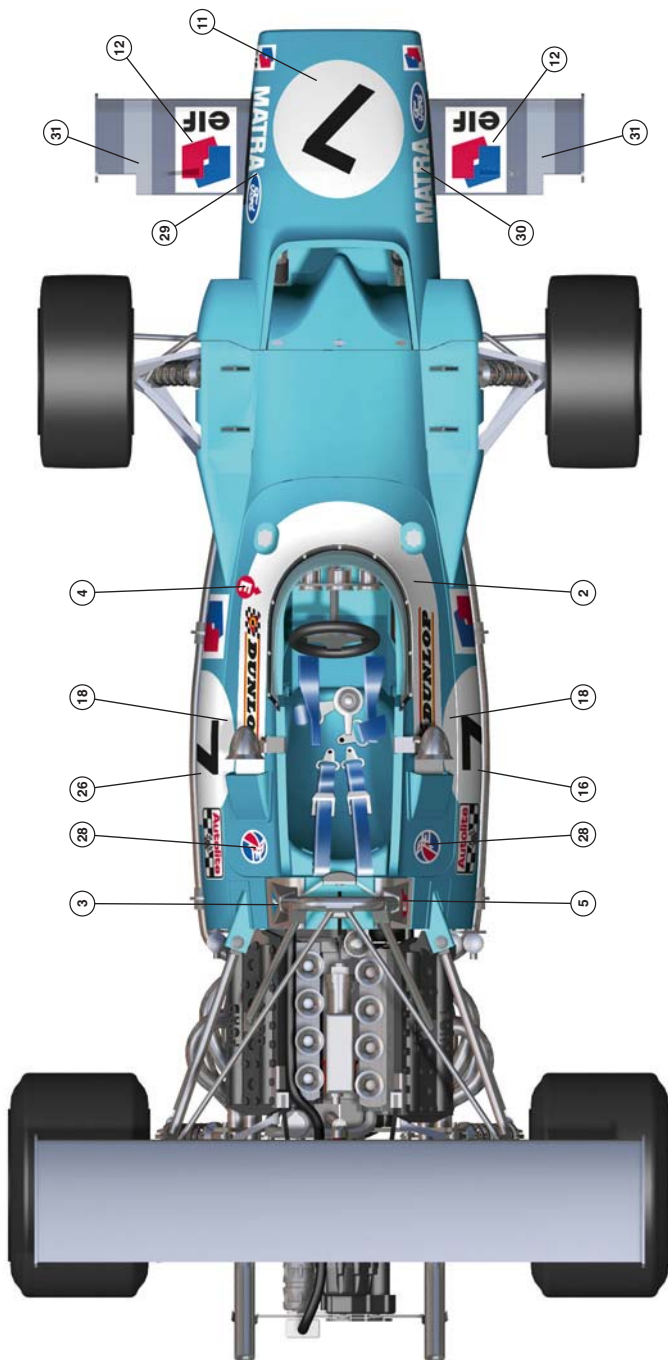


CUT OFF  
4 mm

332

cut off  
tagliare  
abschneiden  
découper  
cortar

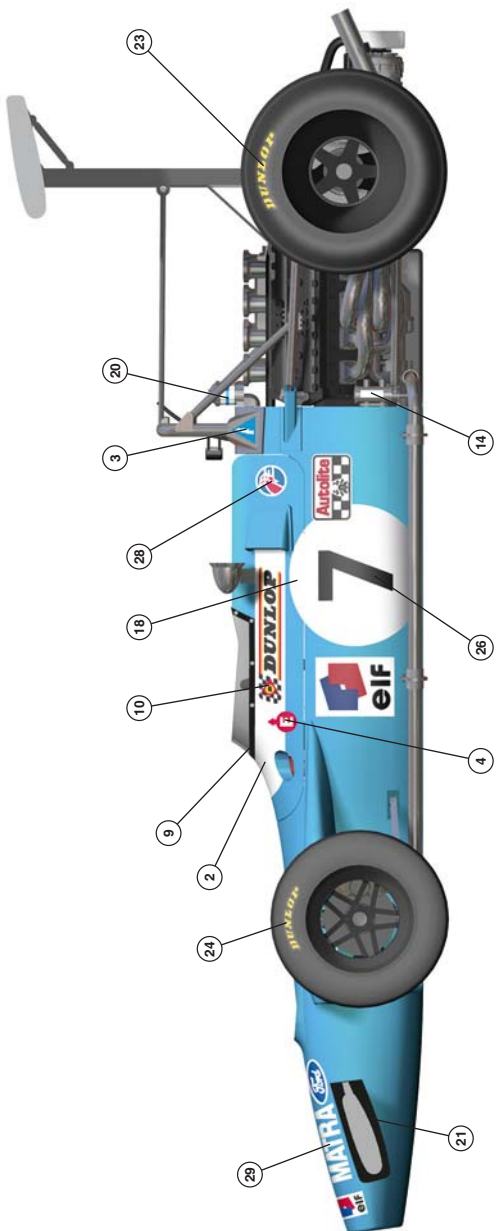
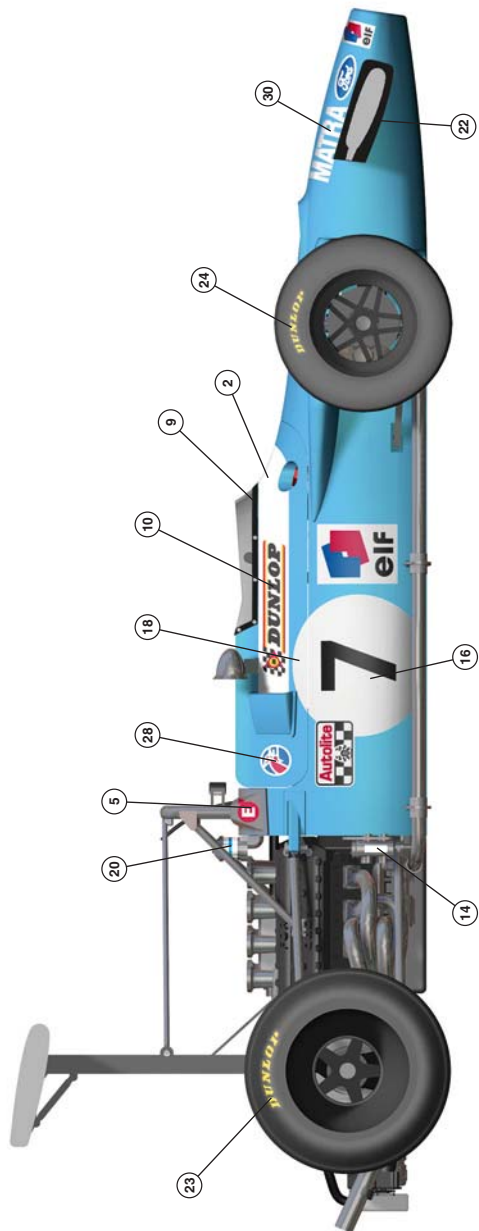
# TMK 397 MATRA FORD MS80 G.P. SPAGNA 1969



2 - J. Stewart 1st



7 - J.P. Beltoise 3rd











**TAMEO KITS**  
formula one scale model

**TAMEO KITS** srl

Via Valle, 111 - P.O. Box 61  
17022 BORGIO VEREZZI SV ITALY  
Tel. 39 019 - 615.250 Fax. 39 019 - 615.310

website [www.tameokits.com](http://www.tameokits.com)  
e-mail [sales@tameokits.com](mailto:sales@tameokits.com)  
e-mail [technical@tameokits.com](mailto:technical@tameokits.com)

Made in Italy. Collector 1/43 Scale Models. Vietata la vendita ai minori di 14 anni. Nocivo per ingestione. Conservare fuori dalla portata dei bambini. Tameo Kits declina ogni responsabilità per un uso improprio del prodotto.

Made in Italy. Collector 1/43 Scale Models. Not for sale to persons under 14 years of age. Dangerous if swallowed. Keep out of reach of children. Tameo Kits not held responsible for any damage or injury resulting from improper use of the product.

Made in Italy. Collector 1/43 Scale Models. Vente interdite aux enfants de moins de 14 ans. Dangereux si avalé. Conserver hors de la portée des enfants. Tameo Kits décline toute responsabilité dans le cas de dommages dérivants de l'usage non approprié du produit.

Made in Italy. Collector 1/43 Scale Models. Verkauf an jugendliche unter 14 Jahren verboten. Schädlich bei Einnahme. Von Kindern fernhalten. Tameo Kits Lehnt jede Verantwortung bei unkorrektem Gebrauch seines Produktes ab.

Hecho en Italia. Colección de modelos a escala 1/43. Prohibida la venta a menores de 14 años. No comestible. Mantener fuera del alcance de los niños. Tameo Kits no se hace responsable de los daños causados por el uso incorrecto de este producto.